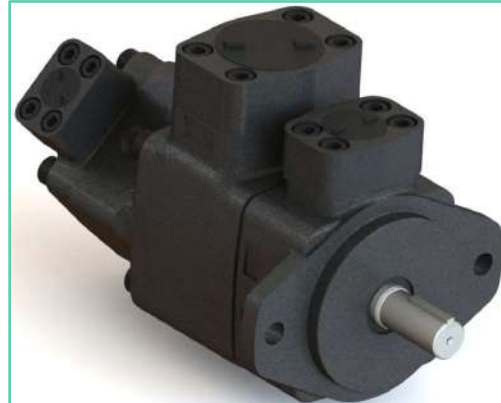
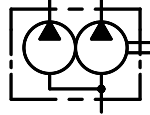


## PVR 1050 Series Double Vane Pumps

These double pumps consist of one PVR1T and one PVR50 series single pumps combined in tandem within a single housing and driven by a common shaft. Fluid delivered from the two separate ports can be either supplied to separate or common circuits.



Graphic symbol



## Specifications

Model Number	Small Volume Pump Geometric Displacement cm <sup>3</sup> /rev.	Large Volume Pump Geometric Displacement cm <sup>3</sup> /rev.	Max. Opr. Pressure Kg/cm <sup>2</sup>	Output Flow and Input Power	Shaft Speed Range r/min.		Mass (Approx) Kg.	
					Max.	Min.	Flange Mounting	Foot Mounting
PVR1050	Refer Specification in page No. 103	Refer Specification in Page No. 108	210 <small>(175 old models stop manufacturing)</small>	Refer Page 106, 107, 110, 111 & 112	1800	600	17.7	20.5

## Model Number Designation

F-	PVR1050	-L	-F	-4	-39	-R	E	A	A	-11	80
Special Seals **	Series Number	Mounting	Type of Pipe Connection	Small Volume Pump Nominal Delivery	Large Volume Pump Nominal Delivery	Direction of Rotation	Small Volume Pump Discharge Position	Large Volume Pump Discharge Position	Suction Port Position	Design *	Design Std.
F: For Phosphate Ester Type Fluids. (omit if not required)	PVR1050	L: Foot Mounting F: Flange Mounting	F: Flange Connection	4, 6 8, 10 12, 15 17	13, 20 26, 30 36, 39 45, 51	R: Clockwise (Normal) L: Anticlockwise				12	80
							As viewed from shaft end				

\* Design numbers subject to change from 10 to 19, but installation dimensions remain as shown.

\* For instructions regarding changing the port positions, consult CNIP.

\* \*\* Before ordering the Special Seals, consult CNIP.

## Cartridge Kit Model Number

### Large Volume Pump

CPVR1050	-13	-R	-10
Model Number	Nominal Delivery	Shaft Rotation	Design No.
CPVR1050	13, 20 26, 30 36, 39 45, 51	R: Clockwise (Normal) L: Counter-Clockwise	10

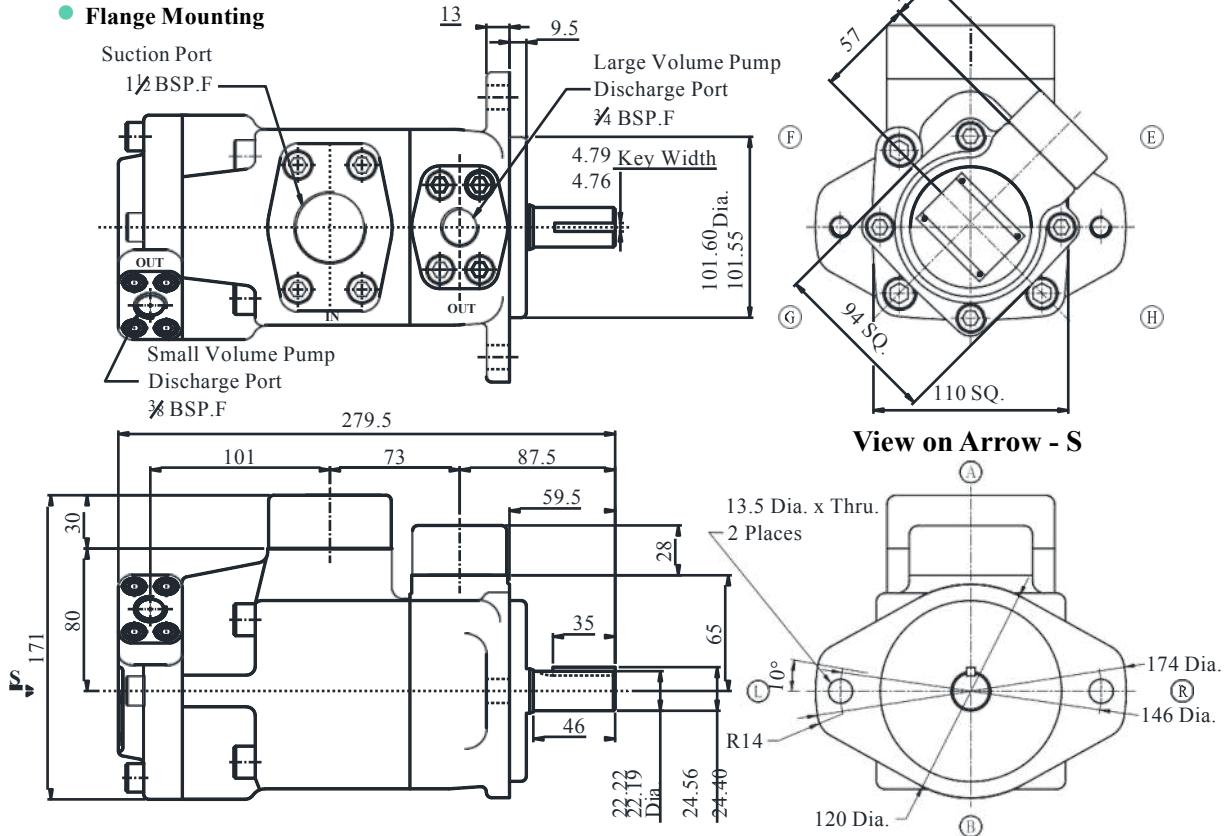
### Small Volume Pump

CPVR1050	-4	-R	-20
Model Number	Nominal Delivery	Shaft Rotation	Design No.
CPVR1050	4, 6 8, 10 12, 15 17	R: Clockwise (Normal) L: Counter-Clockwise	20

\* For instructions regarding replacing cartridge kit, consult CNIP.

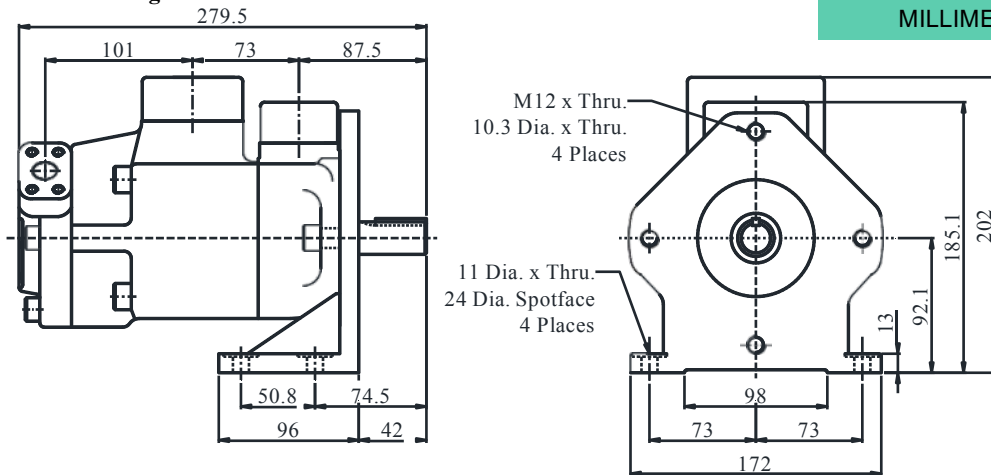
## PVR1050-F-F-\*\*-\*\*-\*\*-1280

### Flange Mounting



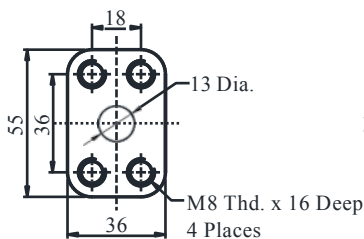
## PVR1050-L-F-\*\*-\*\*-\*\*-1280

### Foot Mounting

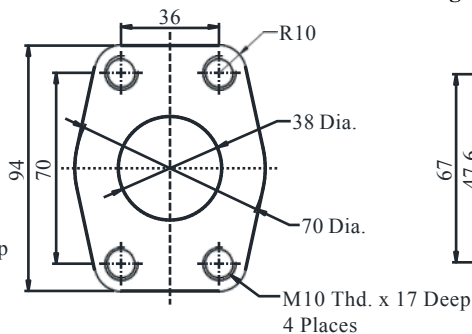


For Reference: Dimensions of Pipe Flange Mounting Surfaces

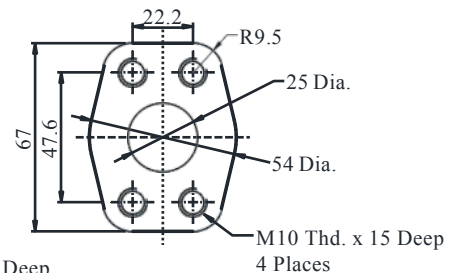
#### Small Volume Pump Discharge Port



#### Suction Port



#### Large Volume Pump Discharge Port



“PVR” Series Double Vane Pumps

## ■ Flanges

Note: Please refer page no. 725 for flange details.

## ■ Spare Parts List

### ● List of Seals

Sl. No.	Name of Part	Part number	Qty.
1	O-Ring	SO-NB-G35	1
2	O-Ring	SO-NA-P41	1
3	O-Ring	SO-NB-G60	1
4	O-Ring	SO-NA-G80	1
5	O-Ring	SO-NB-G80	1
6	O-Ring	SO-NB-G85	1
7	Backup-Ring	SO-BB-P41	1
8	Backup-Ring	SO-BB-G80	1
9	Oil Seal	ISPD 25388	1

Note: When ordering the seals, please specify the seal kit number KS-PVR1050-1180.

B

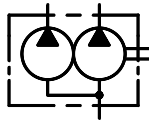
PVR Series  
Double Vane Pumps

## PVR 50150 Series Double Vane Pumps

These double pumps consist of one PVR 50 and one PVR 150 series single pumps combined in tandem within a single housing and driven by a common shaft. Fluid delivered from the two separate ports can be either supplied to separate or common circuits. These pumps are used in mobile application.



Graphic symbol



## Specifications

Model Number	Small Volume Pump Geometric Displacement cm <sup>3</sup> /rev.	Large Volume Pump Geometric Displacement cm <sup>3</sup> /rev.	Max. Opr. Pressure Kg/cm <sup>2</sup>	Output Flow and Input Power	Shaft Speed Range r/min		Mass (Approx) Kg.	
					Max.	Min.	Flange Mounting	Foot Mounting
PVR50150	Refer Specification in Page No. 108	Refer Specification in Page No. 113	210 <i>(175 old models stop manufacturing)</i>	Refer Page 110, 111, 112, 115 & 116	1800*	600	42.5	49

\* For speeds above 1500 r/min. consult factory for information.

## Model Number Designation

F-	PVR50150	-L	-F	-13	-60	-R	E	A	A	-15	80	
Special Seals **	Series Number	Mounting	Type of Pipe Connection	Small Volume Pump Nominal Delivery	Large Volume Pump Nominal Delivery	Direction of Rotation	Small Volume Pump Discharge Position	Large Volume Pump Discharge Position	Suction Port Position	Design *	Design Std	
As viewed from shaft end												
<b>F:</b> For Phosphate Ester Type Fluids. (omit if not required)	<b>PVR50150</b>	<b>L:</b> Foot Mounting <b>F:</b> Flange Mounting	<b>F:</b> Flange Connection	<b>13, 20</b> <b>26, 30</b> <b>36, 39</b> <b>45, 51</b>	<b>60, 70</b> <b>90, 110</b> <b>140, 170</b>	<b>R:</b> Clockwise (Normal) <b>L:</b> Anticlockwise					<b>15</b>	<b>80</b>

\* Design numbers subject to change from 10 to 19, but installation dimensions remain as shown.

\* For instructions regarding changing the port positions, consult CNIP.

\*\* Before ordering the Special Seals, consult CNIP.

## Cartridge Kit Model Number

### Large Volume Pump

CPVR150	-60	-R	-33
Model Number	Nominal Delivery	Shaft Rotation	Design No.
<b>CPVR150</b>	<b>60, 70</b> <b>90, 110</b> <b>140, 170</b>	<b>R:</b> Clockwise (Normal) <b>L:</b> Counter-Clockwise	<b>33</b>

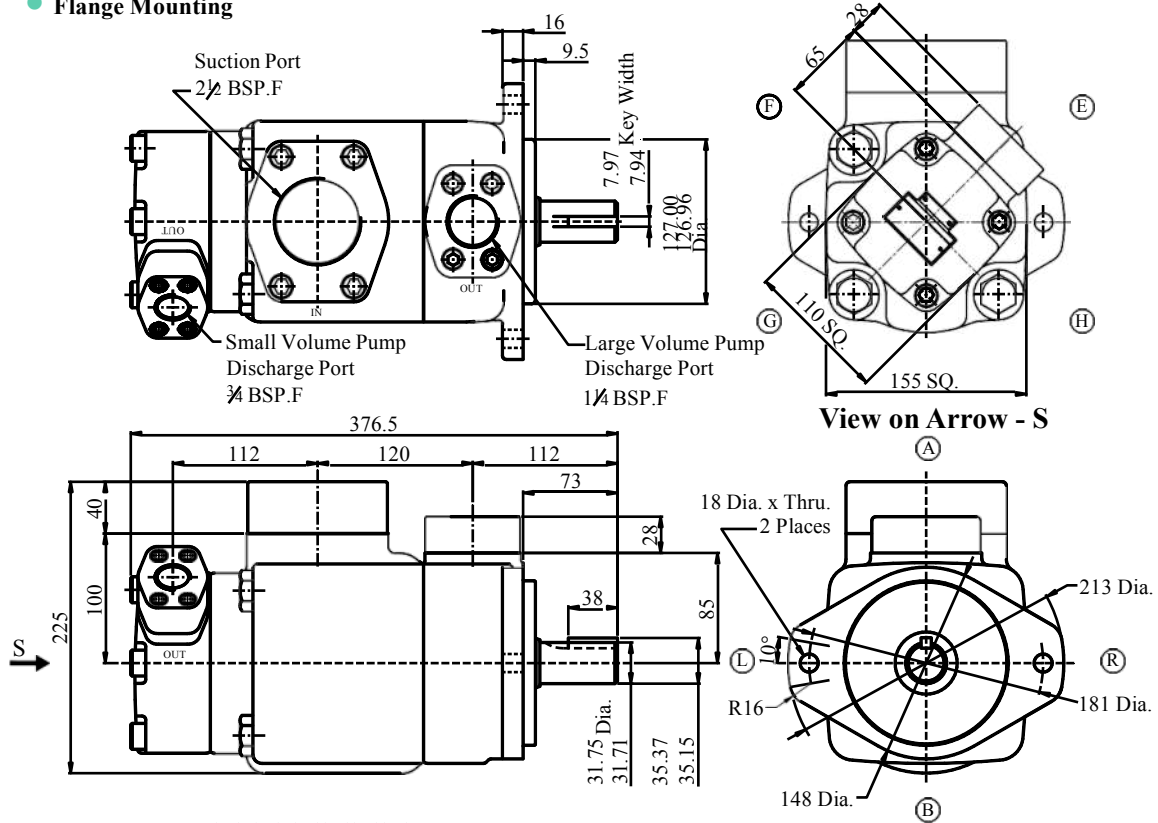
### Small Volume Pump

CPVR50150	-13	-R	-14
Model Number	Nominal Delivery	Shaft Rotation	Design No.
<b>CPVR50150</b>	<b>13, 20</b> <b>26, 30</b> <b>36, 39</b> <b>45, 51</b>	<b>R:</b> Clockwise (Normal) <b>L:</b> Counter-Clockwise	<b>14</b>

\* For instructions regarding replacing cartridge kit, consult CNIP.

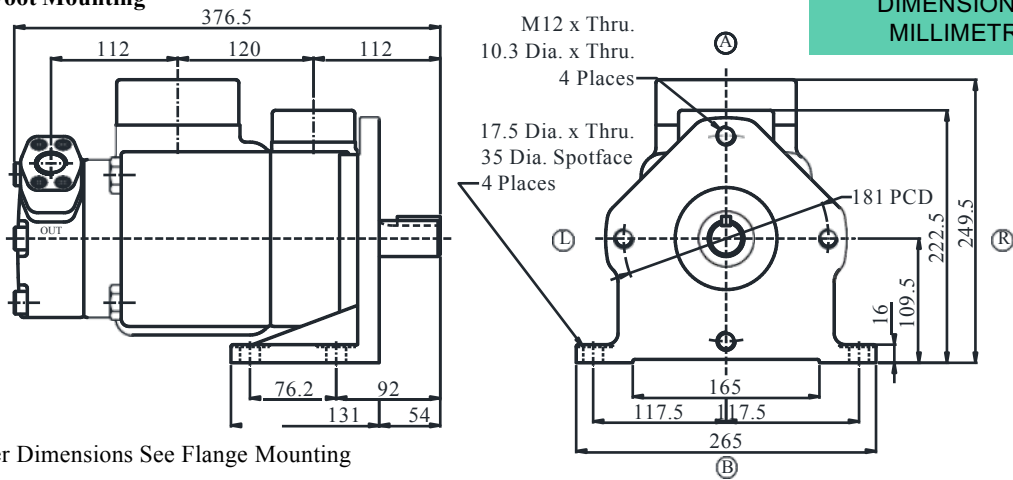
## PVR50150-F-F-\*\*-\*\*-\*\*-1580

### Flange Mounting



## PVR50150-L-F-\*\*-\*\*-\*\*-1580

### Foot Mounting

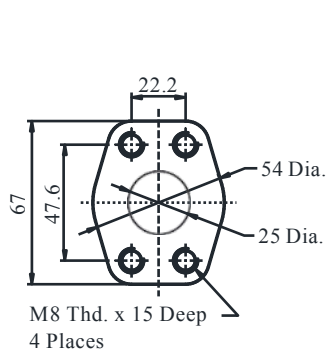


DIMENSIONS IN MILLIMETRES

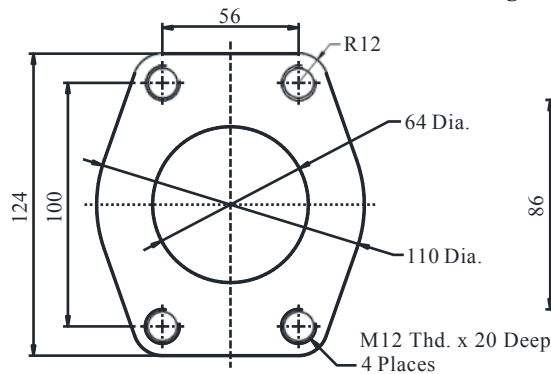
For Other Dimensions See Flange Mounting

For Reference: Dimensions of Pipe Flange Mounting Surfaces

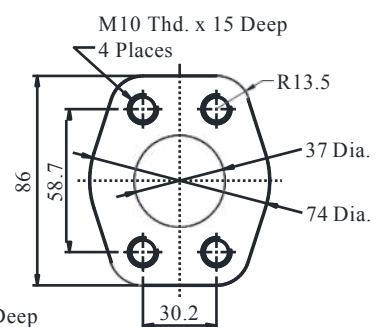
#### Small Volume Pump Discharge Port



#### Suction Port



#### Large Volume Pump Discharge Port



### "PVR" Series Double Vane Pumps

B

PVR Series  
Double Vane Pumps

## Cartridge Kit Model Number

Pump Model Numbers	Cartridge Kit Number #	
	Small Volume Pump	Large Volume Pump
PVR1050-※-F-10-* <b>R</b> ※※※-1280	CPVR1050-10- <b>R</b> -20	CPVR1050-* <b>R</b> -10
PVR1050-※-F-12-* <b>R</b> ※※※-1280	CPVR1050-12- <b>R</b> -20	
PVR1050-※-F-15-* <b>R</b> ※※※-1280	CPVR1050-15- <b>R</b> -20	
PVR1050-※-F-17-* <b>R</b> ※※※-1180	CPVR1050-17- <b>R</b> -20	
PVR50150-※-F-20-* <b>R</b> ※※※-1680	CPVR50150-20- <b>L</b> -14	CPVR150-* <b>R</b> -33
PVR50150-※-F-30-* <b>R</b> ※※※-1680	CPVR50150-30- <b>L</b> -14	
PVR50150-※-F-36-* <b>R</b> ※※※-1680	CPVR50150-36- <b>L</b> -14	
PVR50150-※-F-39-* <b>R</b> ※※※-1680	CPVR50150-39- <b>L</b> -14	
PVR50150-※-F-45-* <b>R</b> ※※※-1680	CPVR50150-45- <b>L</b> -14	
PVR50150-※-F-51-* <b>R</b> ※※※-1680	CPVR50150-51- <b>L</b> -14	

\* For instructions regarding replacing cartridge kit, consult CNIP INDIA LTD.

# The above table does not include all combinations of cartridges available. Only a few representative samples are shown.

\*\* All 1180 & 1580 models are convert in new models as per the numbers : 1280 & 1680

## Flanges

Note: Please refer page no. 749 for flange details.

## Spare Parts List

### List of Seals

Sl. No.	Name of Part	Part number	Qty.
1	O-Ring	ARP 568-231	1
2	O-Ring	SO-NA-P41	1
3	O-Ring	SO-NA-G80	1
4	O-Ring	SO-NB-G85	1
5	O-Ring	SO-NA-G120Y	1
6	O-Ring	SO-NB-G125	1
7	Backup-Ring	SO-BB-G120	1
8	Backup-Ring	JIS W 1516-G9	1
9	Backup-Ring	SO-BB-G80	1
10	Backup-Ring	SO-BB-P41	1
11	Oil Seal	TC 38558-7	1

Note: When ordering the seals, please specify the seal kit number KS-PVR50150-1580.